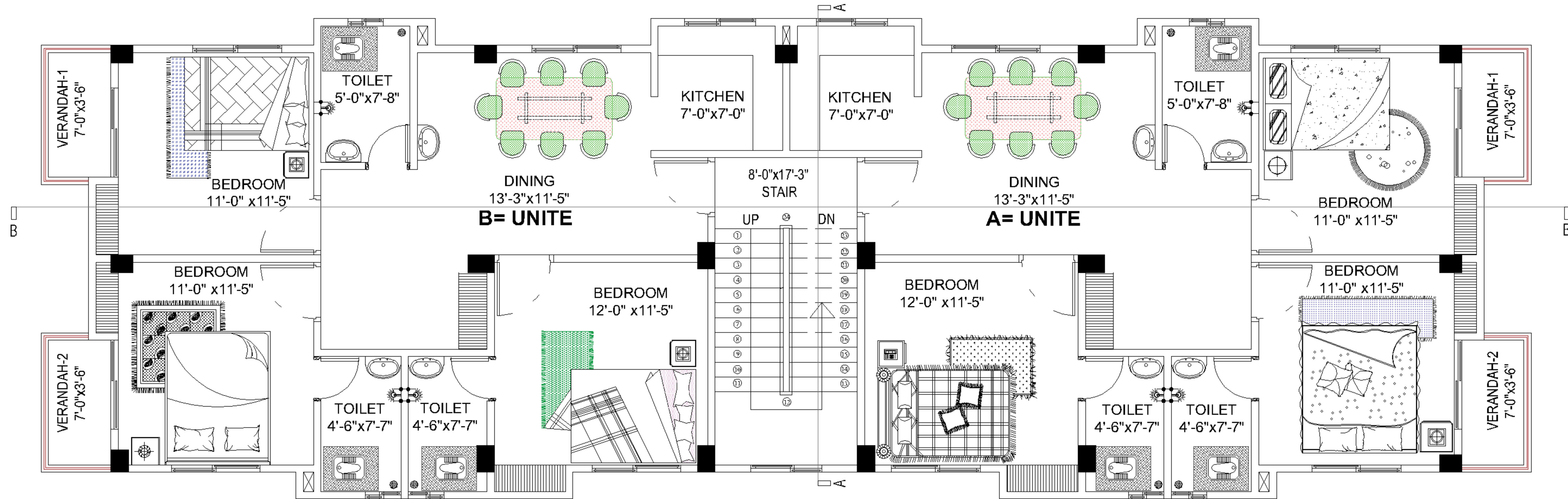
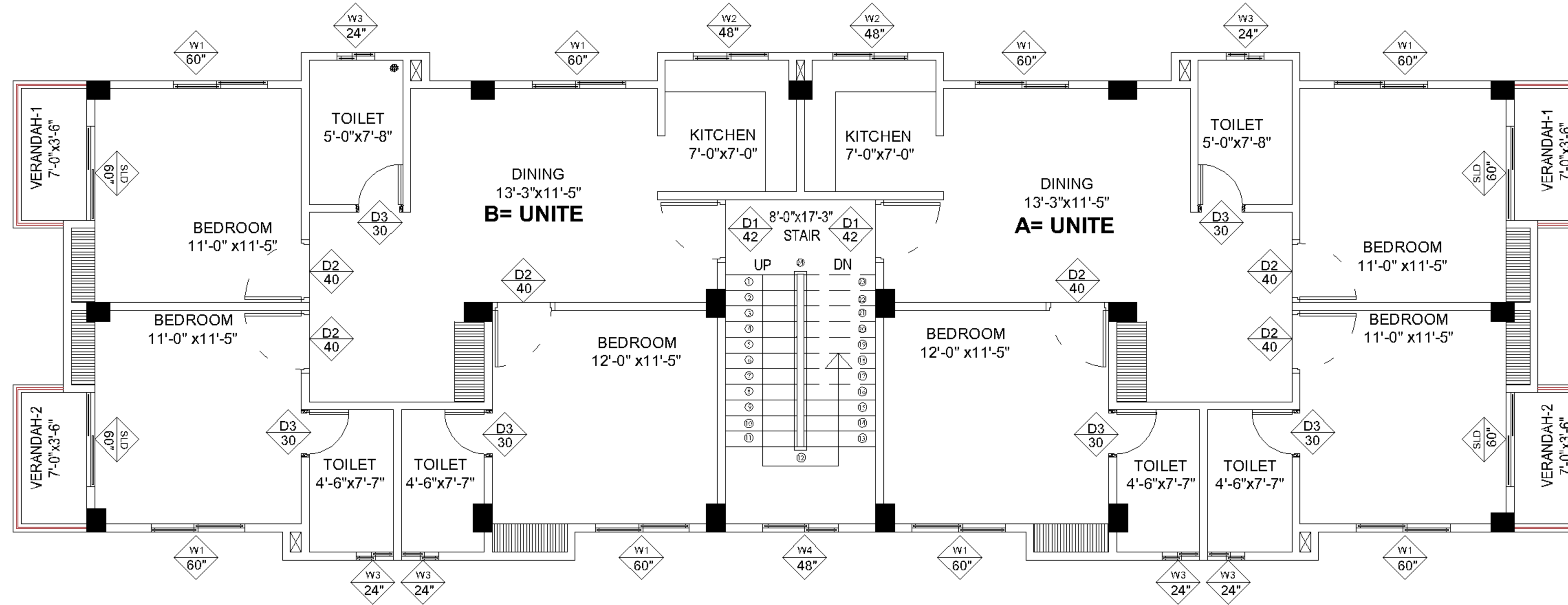


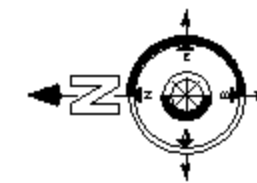
TYPICAL FLOOR PLAN



FURNITURE LAY-OUT PLAN



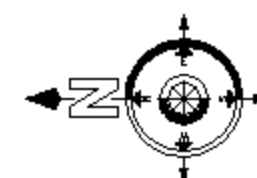
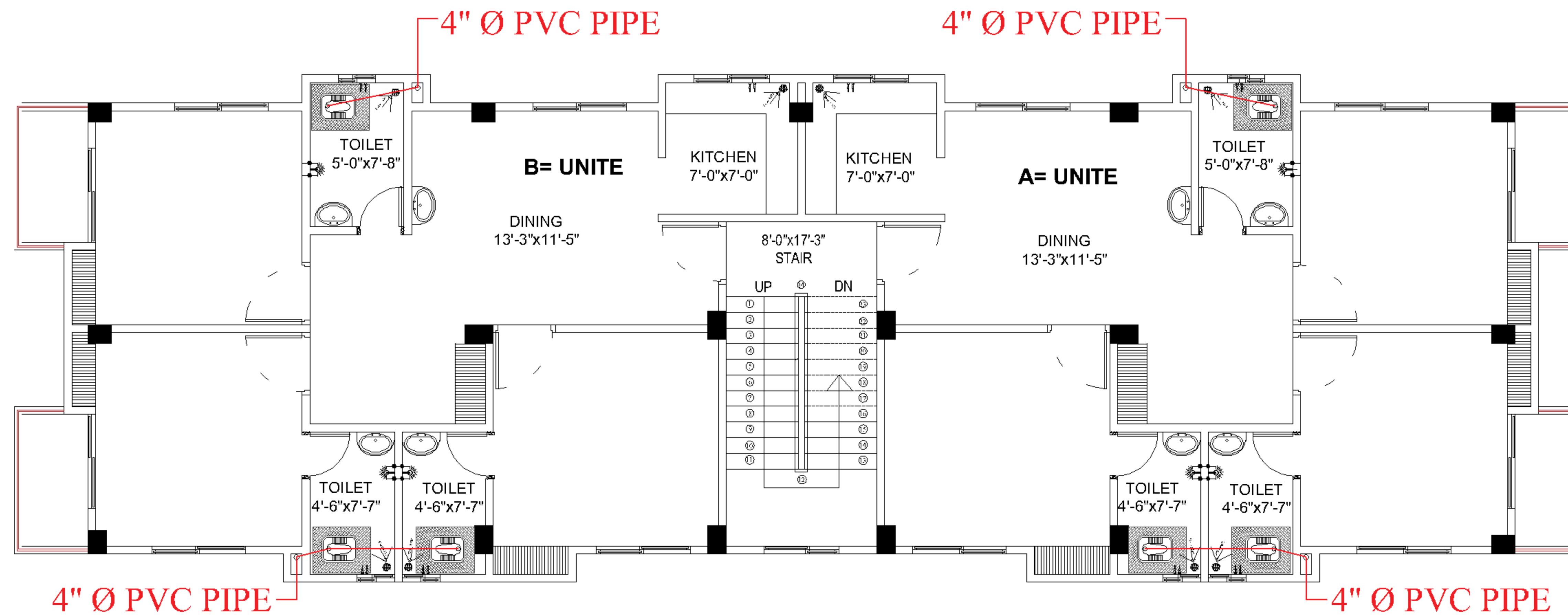
WINDOW SCHEDULE			
Window Name	Window Size	Number	Material
W-01	5'-0" X 4'-6"	08 Nos	ALUMINUM, SLIDING
W-02	4'-0" X 4'-0"	02 Nos	ALUMINUM, SLIDING
W-03	2'-0" X 2'-0"	06 Nos	ALUMINUM, SLIDING
W-04	4'-0" X 5'-0"	01 Nos	ALUMINUM, SLIDING



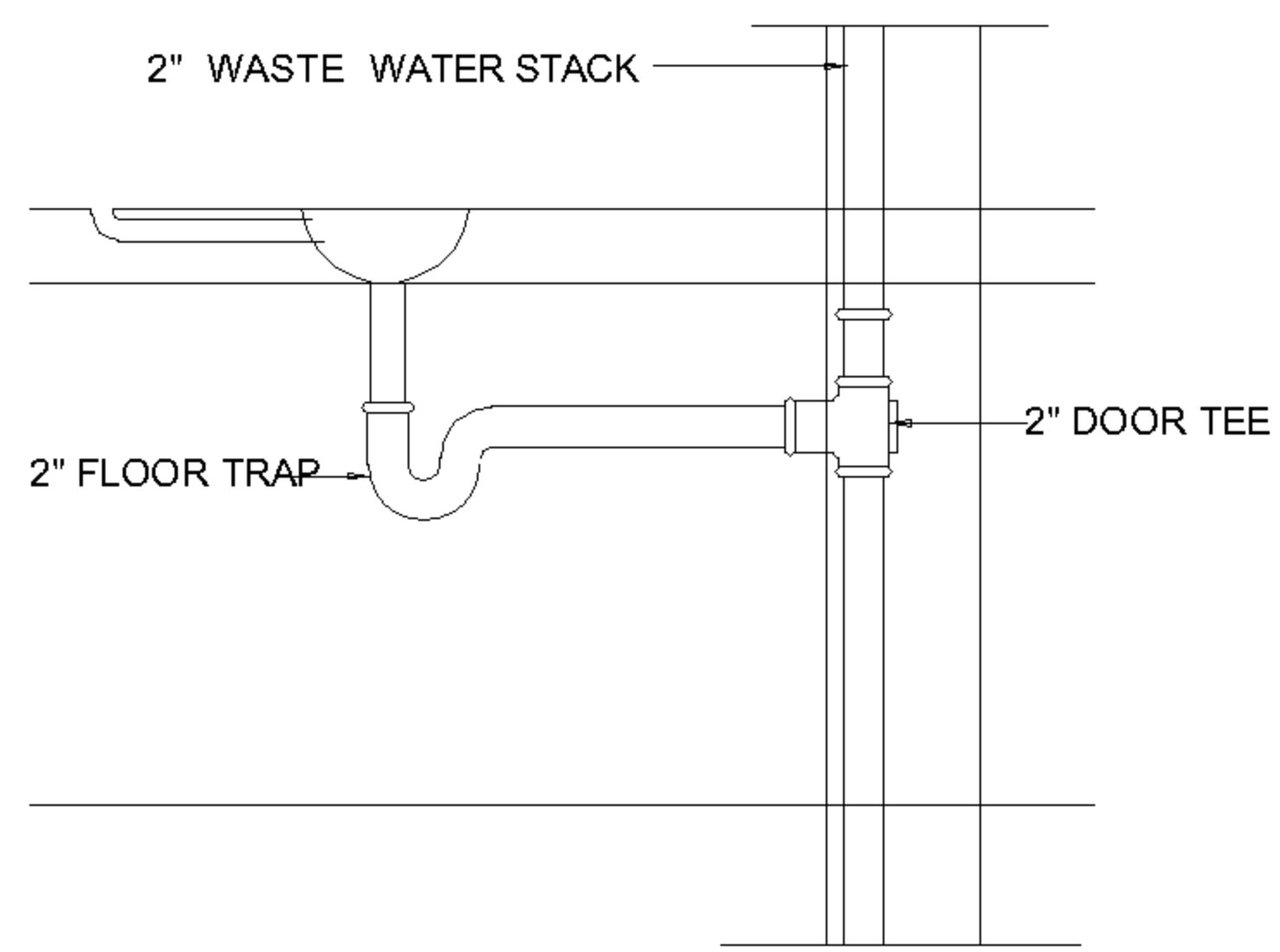
### 1st to 3th Floor Door & Window Schedule Plan

DOOR SCHEDULE			
Door Name	Door Size	Number	Material
D-01	3'-6" (42")	02 Nos	WOODEN DOOR
D-02	3'-4" (40")	06 Nos	WOODEN DOOR
D-03	2'-6" (30")	6 Nos	PVC PLASTIC DOOR
SLD-01	5'-0" (60")	04 Nos	ALUMINUM, SLIDING

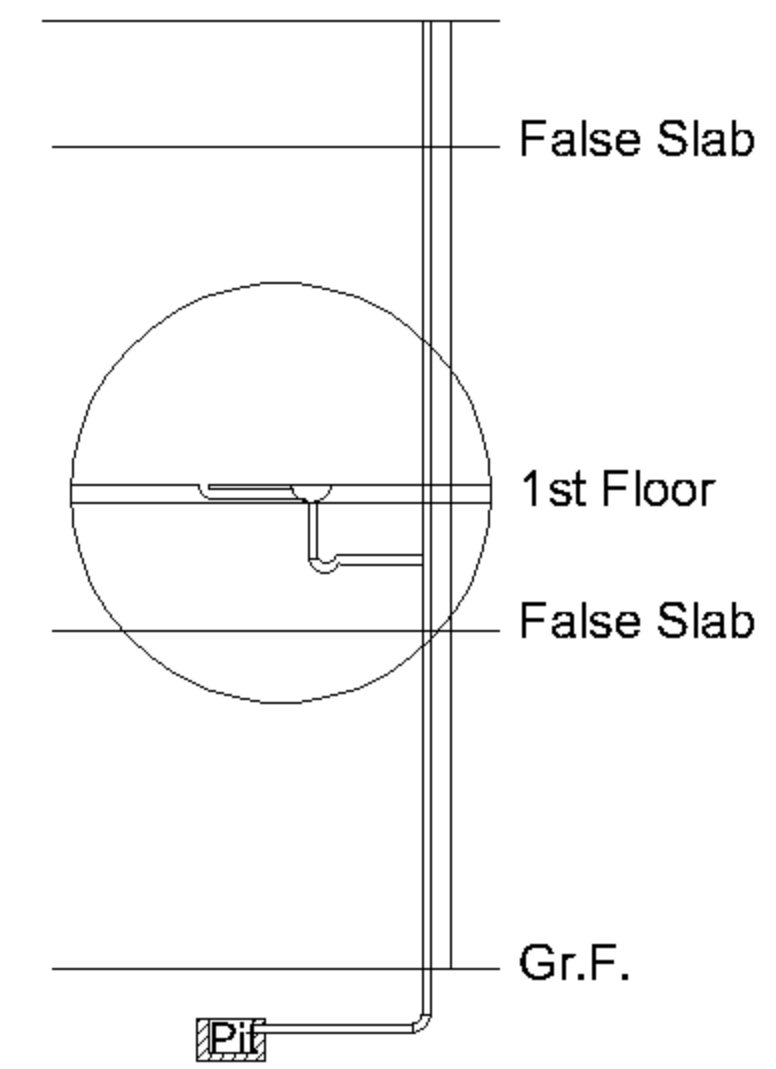
Note: all walls are 5" thick except otherwise specified



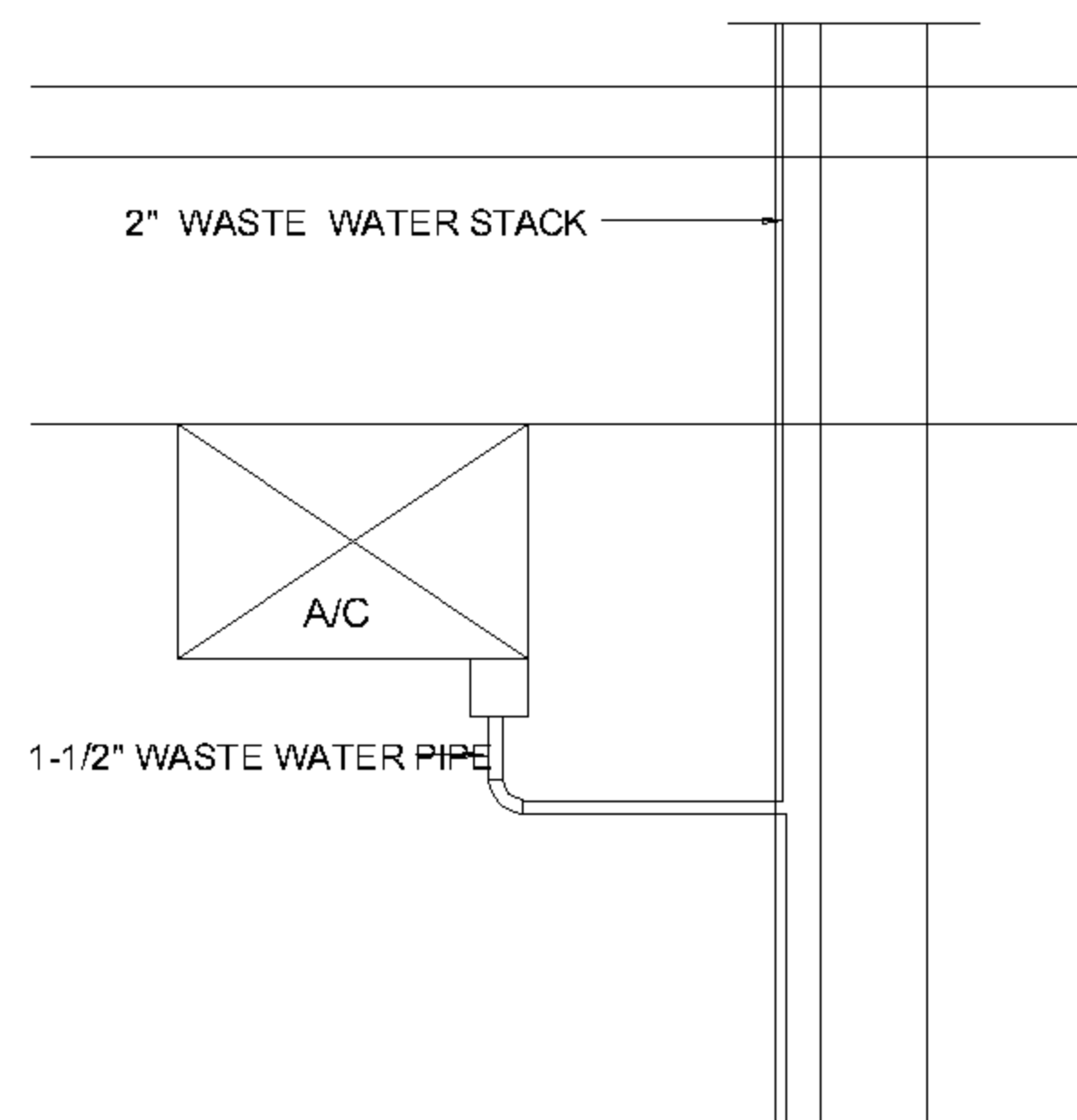
### TYPICAL FLOOR PLAN PLUMBING LAYOUT W.C. LINE



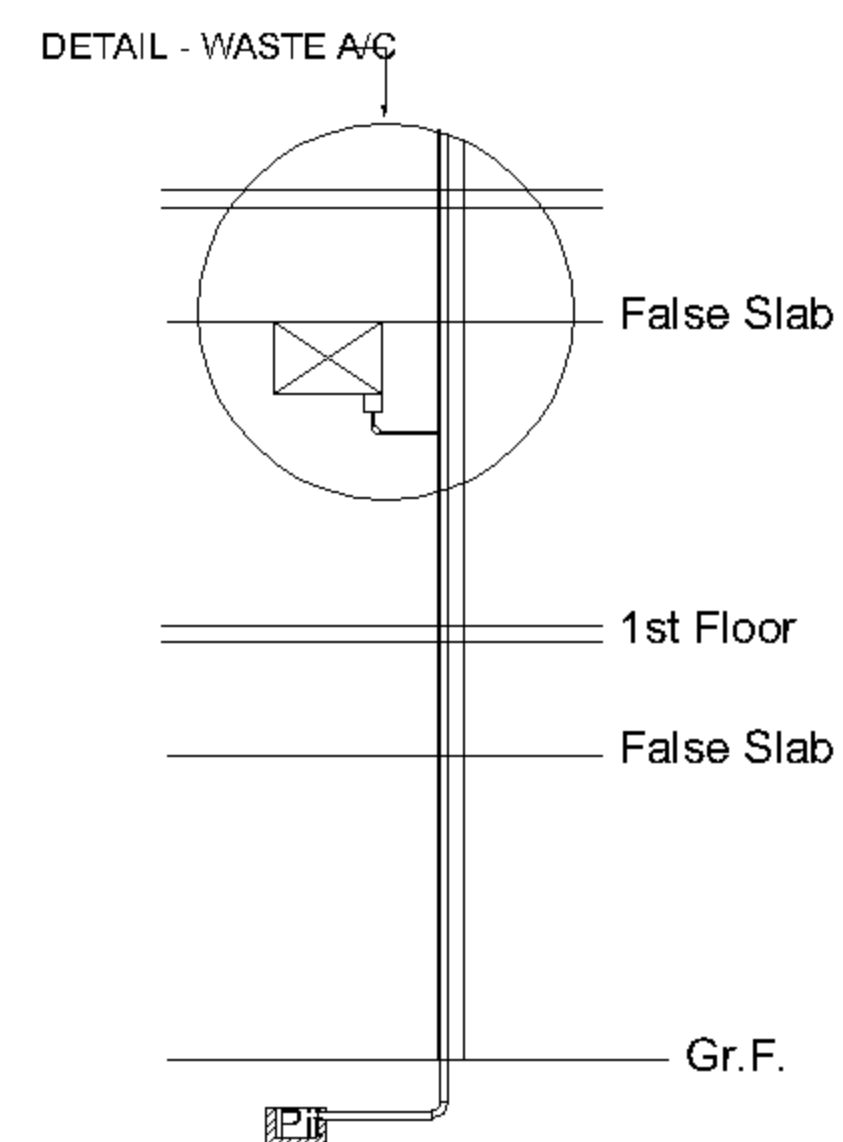
**DETAIL - WASTE OF VER.**



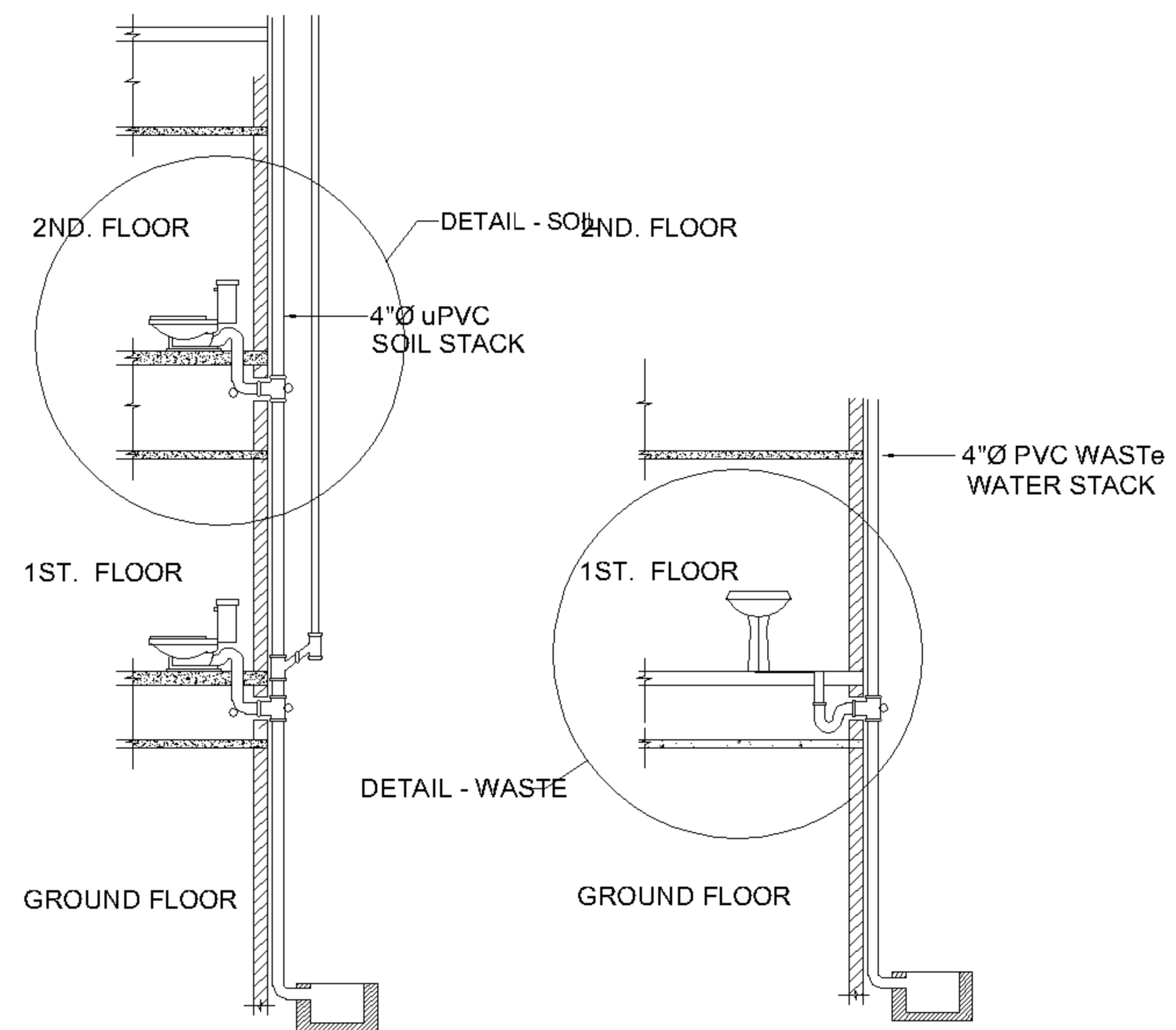
**RISER DIAGRAM OF VER.**



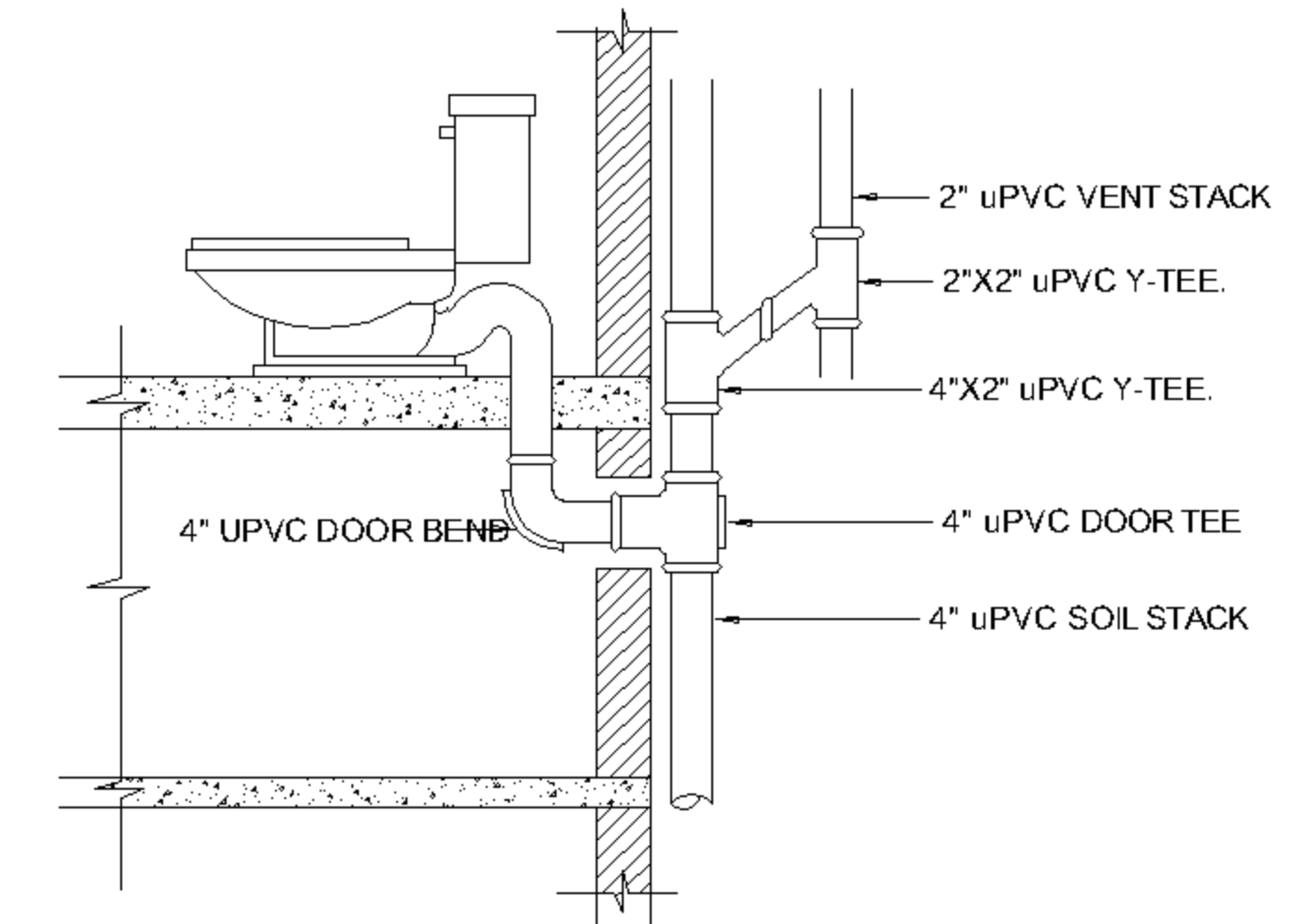
**DETAIL - WASTE OF A/C**



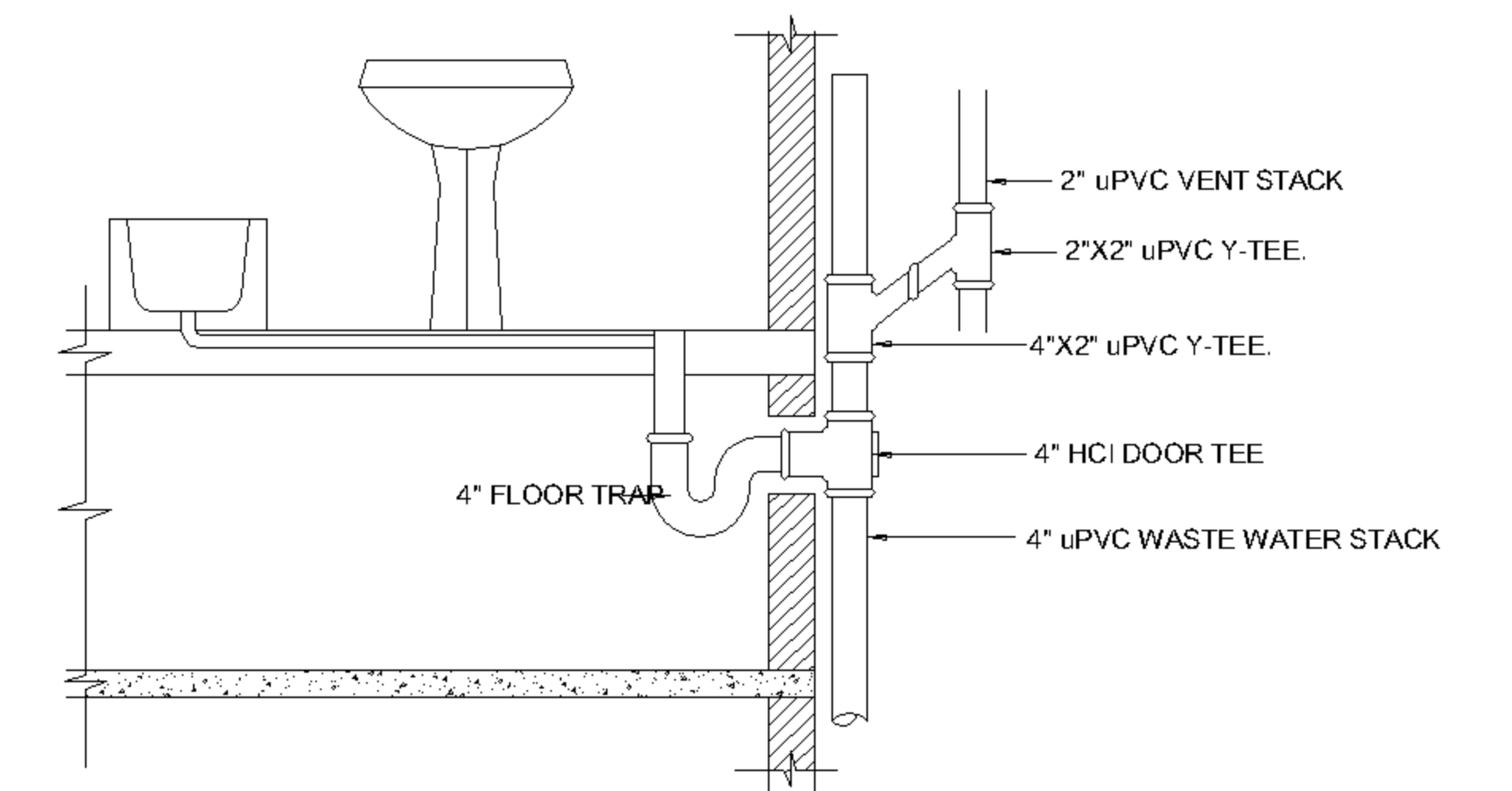
**RISER DIAGRAM OF A/C**



**RISER DIAGRAM OF TYPICAL VENT PIPING ARRANGEMENT FOR SOIL & WASTE WATER STACK VENTING.**



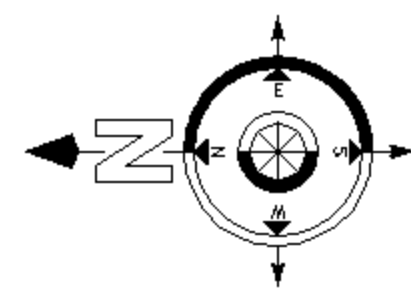
**DETAIL - SOIL**



**DETAIL - WASTE**

**SCHEDULE OF CONDUIT AND CABLE :-**

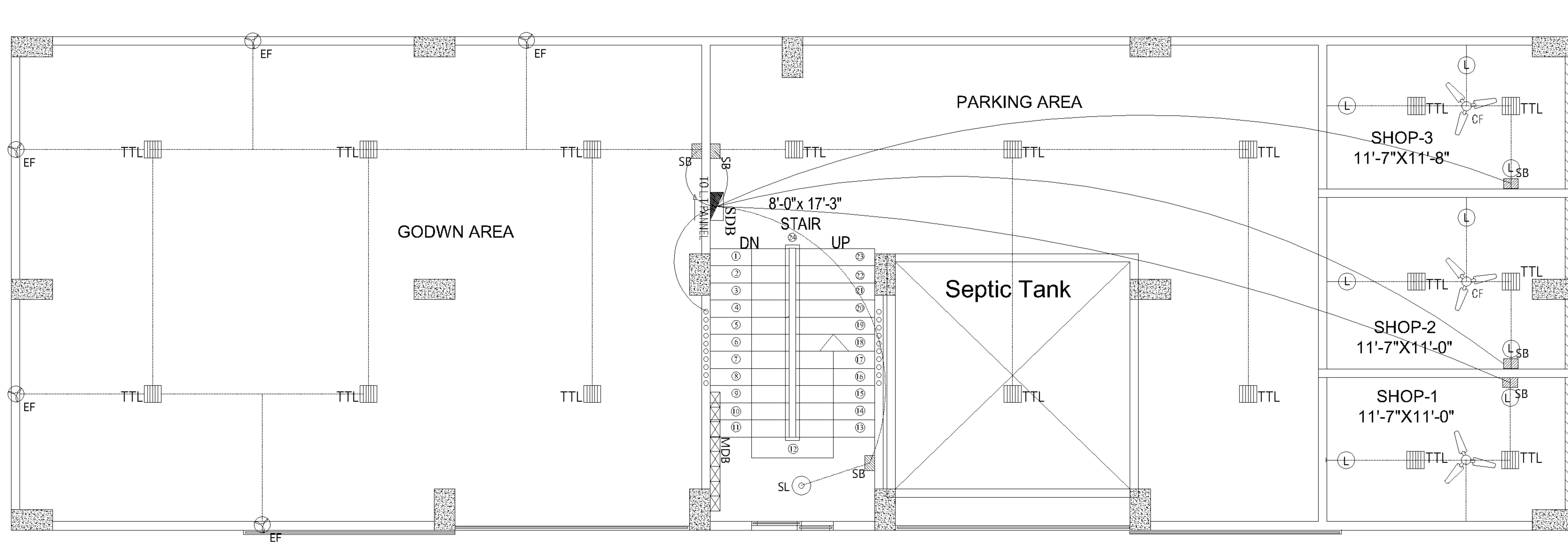
Conduit No.	Containing Cable	Conduit Size
C1	2 x 1.5 mm <sup>2</sup>	3/4" Ø PVC Pipe
C2	4 x 1.5 mm <sup>2</sup>	3/4" Ø PVC Pipe
C3	6 x 1.5 mm <sup>2</sup>	3/4" Ø PVC Pipe
C4	8 x 1.5 mm <sup>2</sup>	1" Ø PVC Pipe
C5	10 x 1.5 mm <sup>2</sup>	3/4" Ø PVC Pipe
C6	2 x 2.5 mm <sup>2</sup>	3/4" Ø PVC Pipe
C7	4 x 2.5 mm <sup>2</sup>	3/4" Ø PVC Pipe
C8	6 x 2.5 mm <sup>2</sup>	1" Ø PVC Pipe
C9	2 x 4 mm <sup>2</sup>	1" Ø PVC Pipe
C10	2 x 6 mm <sup>2</sup>	1" Ø PVC Pipe
C11	2 x 16 mm <sup>2</sup>	1" Ø PVC Pipe



## GROUND FLOOR ELECTRIC FIXTURE LAYOUT PLAN

LEGEND:

Symbol	Fixture	Level From F.F.
	Wall Bracket Light	8'-0"
	Ceiling Mountain Light	Ceiling
	Bathroom Light	6'-9"
	Chandelier Light	Ceiling
	Ceiling Fan	Ceiling
	Wall Fan	Ceiling
	Calling Bell Push	4'-3"
	Calling Bell	8'-0"
	Switch Board	4'-3"
	Sub-Distribution Board	4'-3"
	Main-Distribution Board	-
	Junction Board	4'-3"
	TV Socket	0'-9"
	Intercom/Telephone	0'-9"
	Internet	0'-9"
	Exhaust Fan	7'-6"
	5A 2 Pin Socket	0'-9"
	15A 3 Pin Socket	0'-9"
	Tube Light	8'-0"



ROAD WIDE-4'

ROAD WIDE-15'